

# 0 to 15,000V High Accuracy, High Voltage DC-DC Converter

High stability / 10kV, 15kV      NHV Series

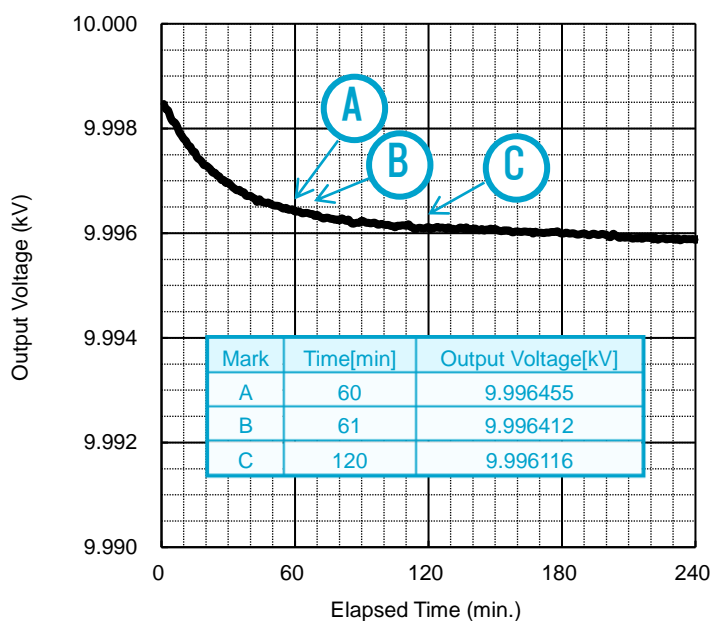
Excellent output stability & low ripple noise enable for  
Precision measuring equipment



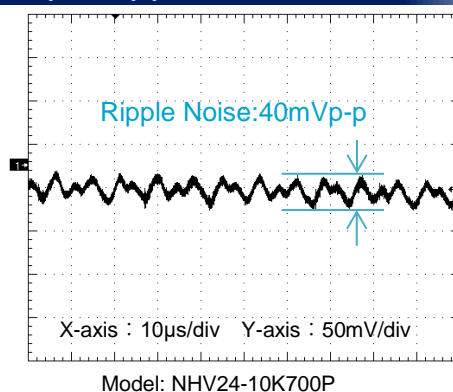
## Features

- Temperature drift 50ppm/°C
- Time-course drift 10ppm/1min.
- Low ripple noise 100mVp-p
- Adjustable output voltage 0 to 100%
- Output voltage monitor
- Output current monitor
- Remote ON/OFF control

## Elapsed time drift



## Output ripple noise waveform



## Applications

- Electron microscope (electron gun, deflection coil)
- Mass spectrometer
- Electrophoresis analyzer



Detail information →

## Line up

Models NHV Series	Input V Vdc	Input I mA(typ.)	Output V Vdc	Output I µA	Ripple Noise mVpp(typ.)
NHV24-10K700P	24 (22.8 to 25.2)	650	0 to +10,000	700	100
NHV24-10K700N			0 to -10,000		
NHV24-15K450P			0 to +15,000	450	100
NHV24-15K450N			0 to -15,000		

## Bellnix Co., Ltd.

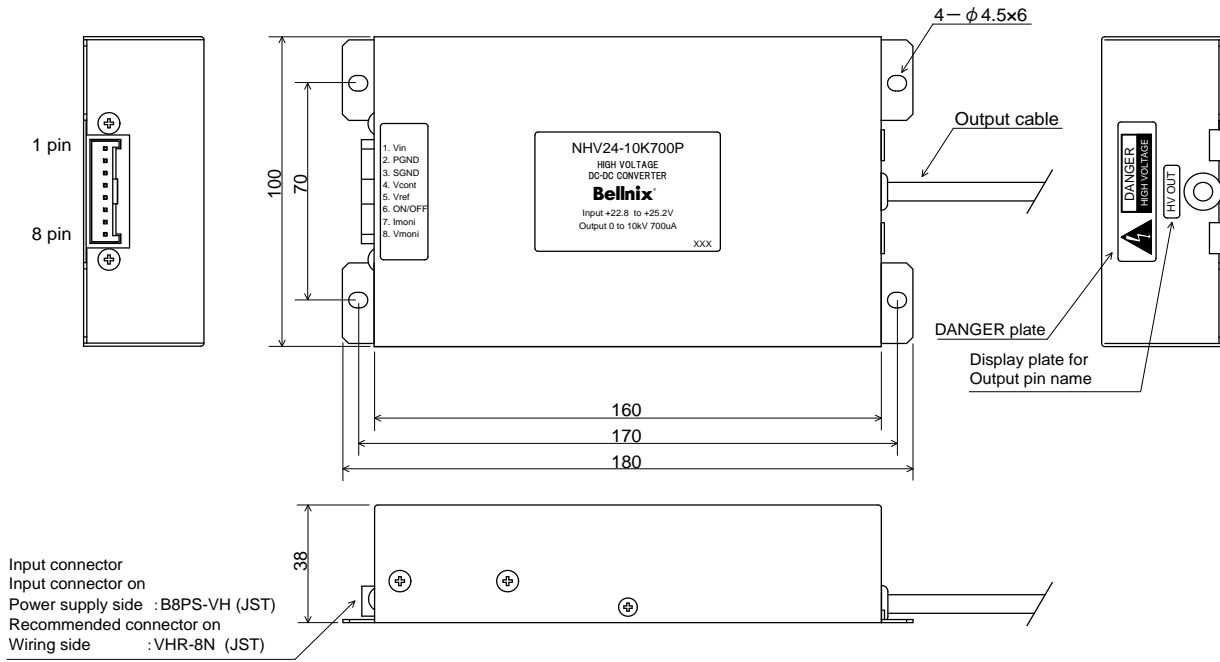
5-7-8 Negishi Minami-ku Saitama-shi  
Saitama JAPAN Postcode: 336-0024  
TEL: +81-48-864-7733 FAX: +81-48-861-6402  
E-mail: info@bellnix.com.  
URL : http://www.bellnix.com

No. C023-1.1EN

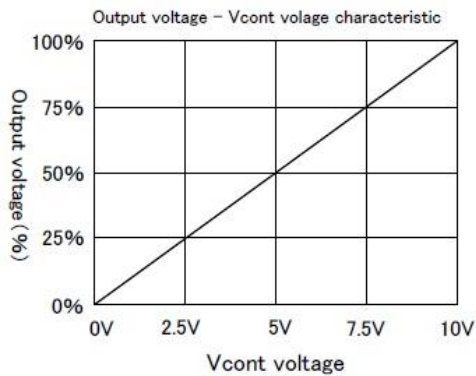
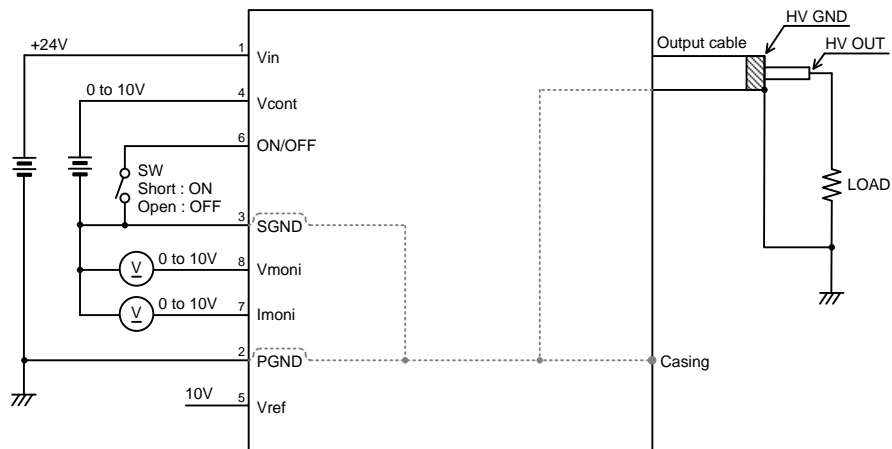
**Bellnix**<sup>®</sup>

# Dimensions

Unit: mm



# Standard connection diagram



The output voltage can be adjusted by an external voltage or a variable resistor.